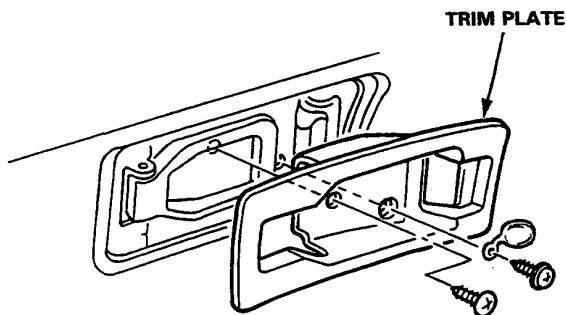


Doors

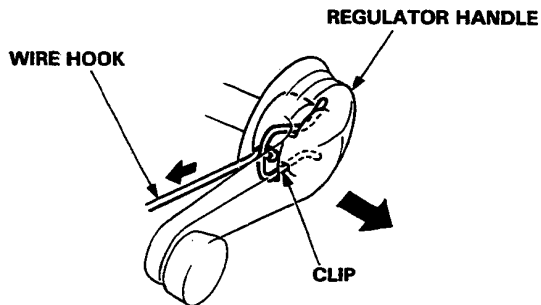


Disassembly

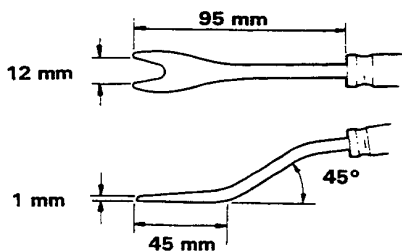
1. Remove the trim plate screws, then carefully remove the trim plate.



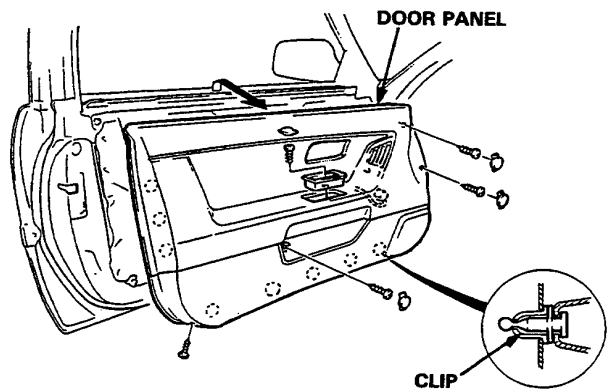
2. If applicable, remove the regulator handle by pulling the clip out with a wire hook.



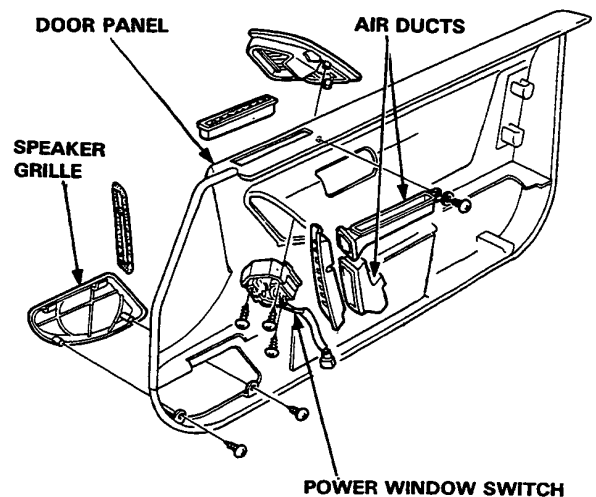
DOOR PANEL RELEASE TOOL



3. Remove the 6 door panel screws, then pry apart the door panel clips. Lift the door panel straight up off the sill, and disconnect the power window wires.



4. Remove the power window switch, speaker grille and air duct, from the door panel as required.

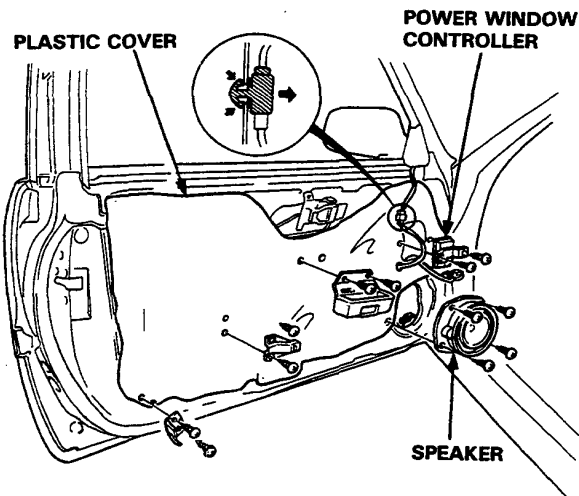


(cont'd)

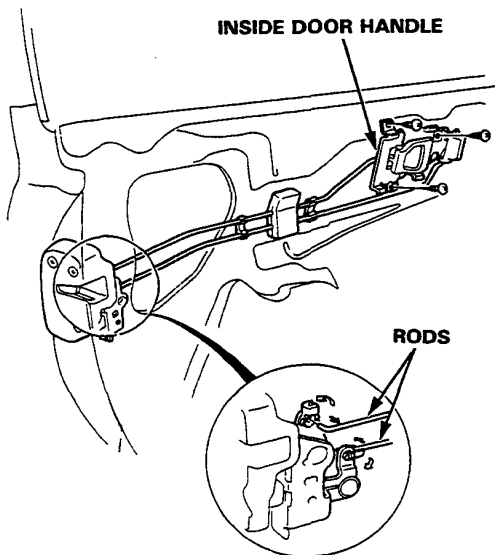
Doors

Disassembly (cont'd)

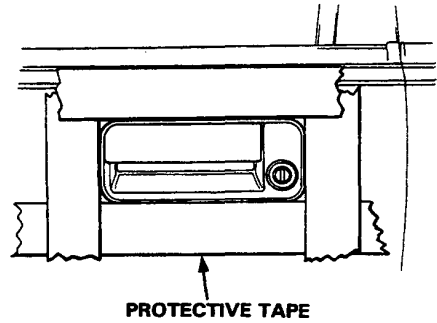
5. Remove the screws, then remove the power window controller and door panel bracket.
6. Carefully remove the plastic cover.



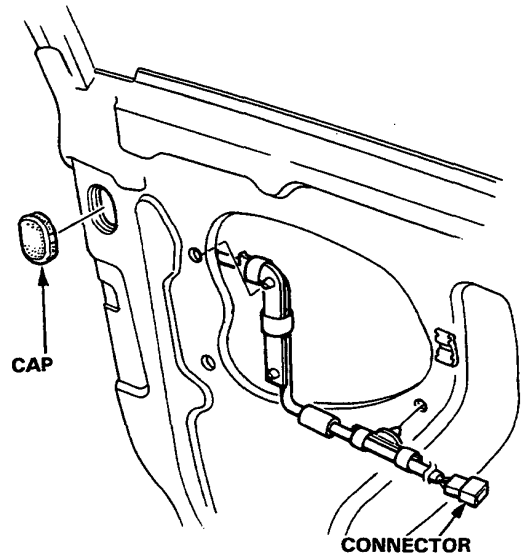
7. Remove the 3 screws, disconnect the latch rods, then remove the inside door handle.



8. Use protective tape around the edge of the door handle to prevent scratching the paint.

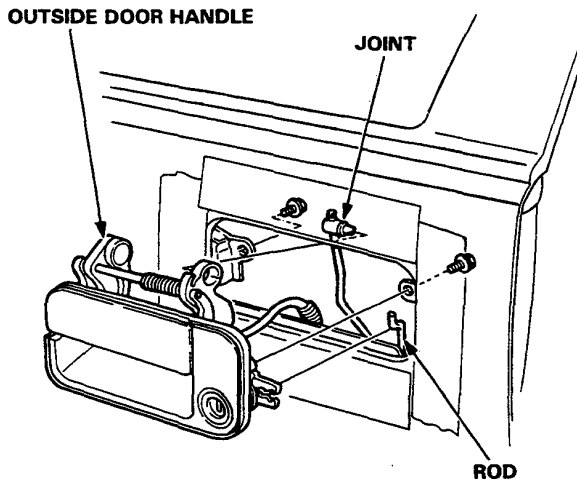


9. Reconnect the window switch or use a 12V battery to operate the window regulator.
10. Roll up the window fully.
11. Disconnect the outside door handle connector and remove the service hole cap.

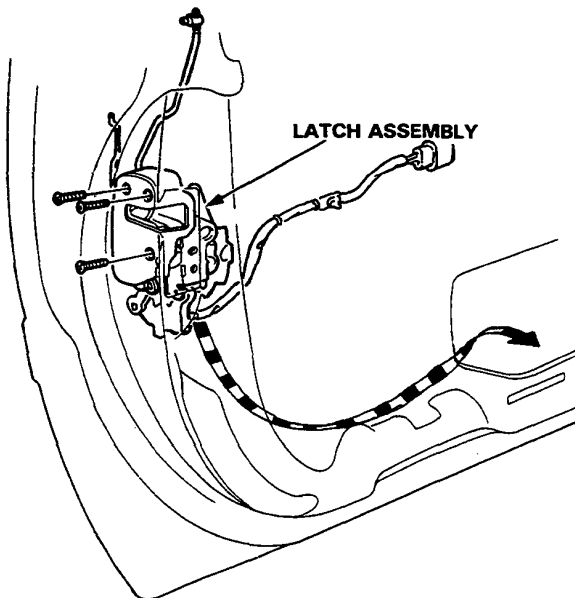




12. Remove the 2 bolts, then remove the outside door handle.
13. Pry the door handle latch rod out of its joint using a flat-tip screwdriver.

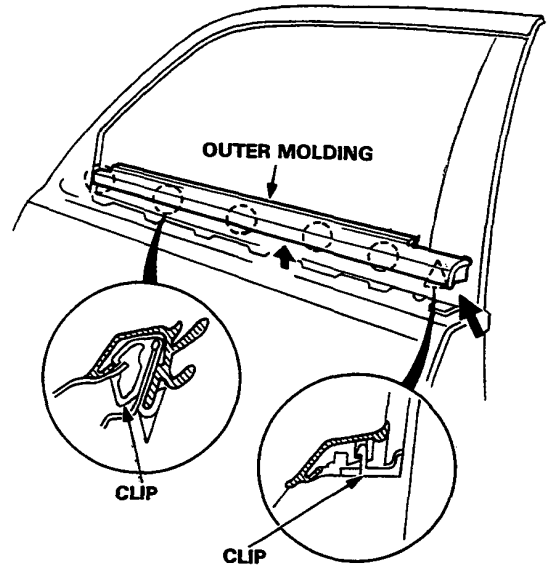


14. Remove the screws and take the latch assembly off the door, then push the latch assembly and rod inside the door.

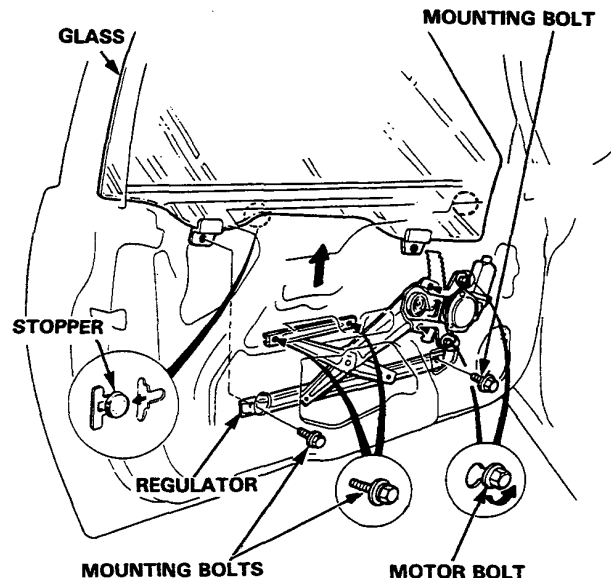


15. Open the window fully.

16. Remove the door mirror (page 14-10, 11).
17. Remove the 6 clips, then remove the outer molding.



18. Carefully raise the window until you can see its mounting bolts, then loosen the bolts. Pull the window out through the window slot.
19. Remove the 4 mounting bolts and loosen the 2 motor bolts, then take out the regulator assembly through the center hole in the door.



(cont'd)

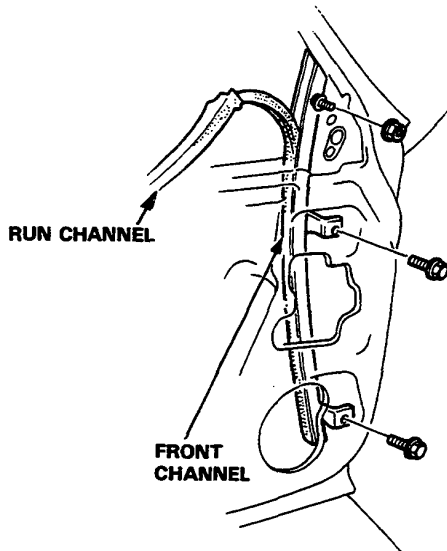
Doors

Disassembly (cont'd)

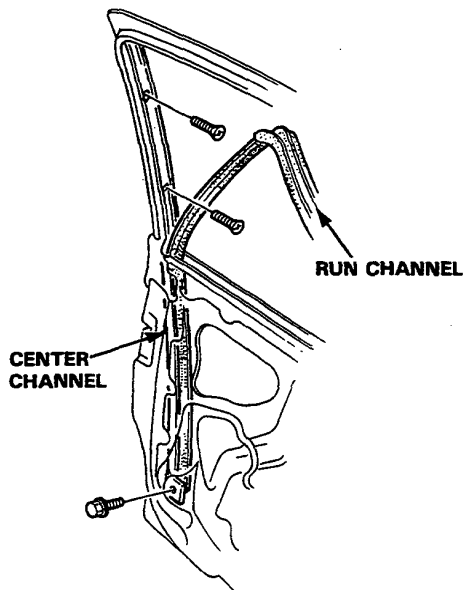
20. Remove the glass run channel.

21. Remove the front and center channel.

Front:



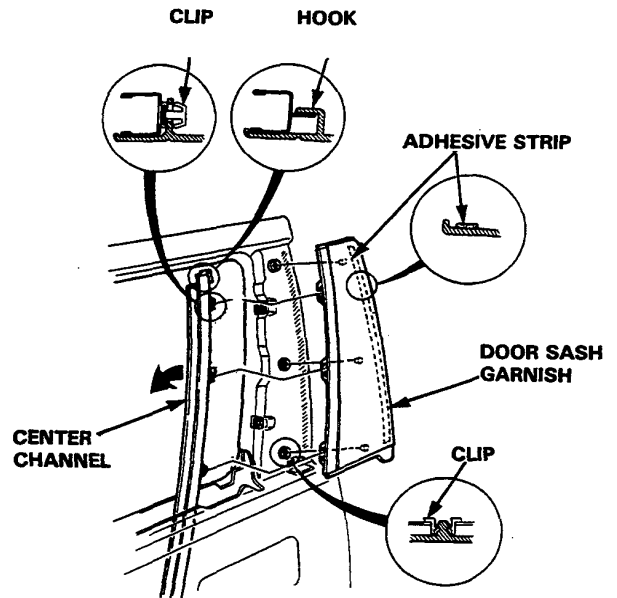
Center:



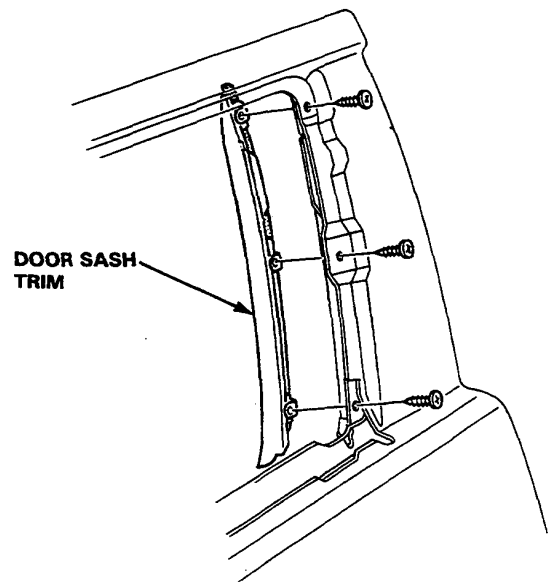
NOTE: Before installation insert the glass run channel into the front and center channel.

22. Remove the 6 clips, then remove the door sash garnish by prying, starting of the top.

NOTE: Remove the door sash garnish slowly and carefully; it is glued to the door.



23. Remove the 3 screws, then remove the door sash trim.

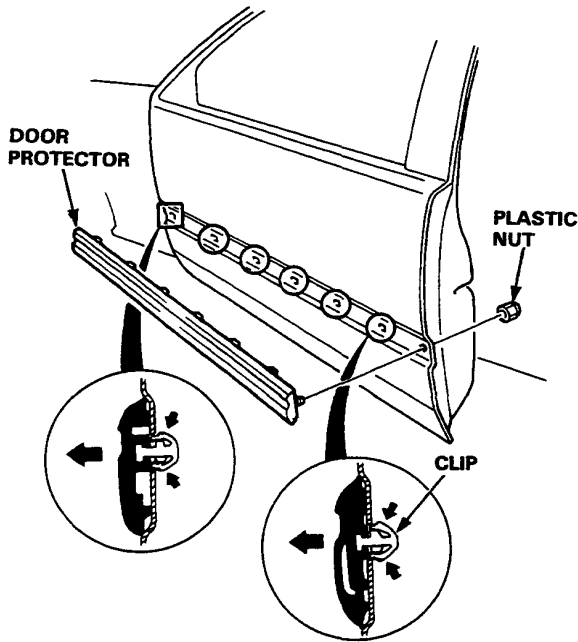




Doors

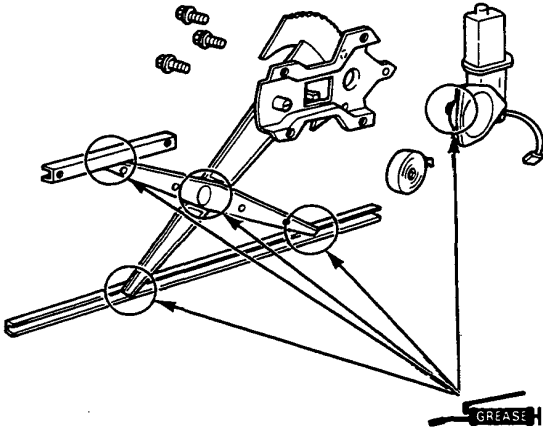
Assembly

24. Remove the door protector by removing the nut and clips from the inside.

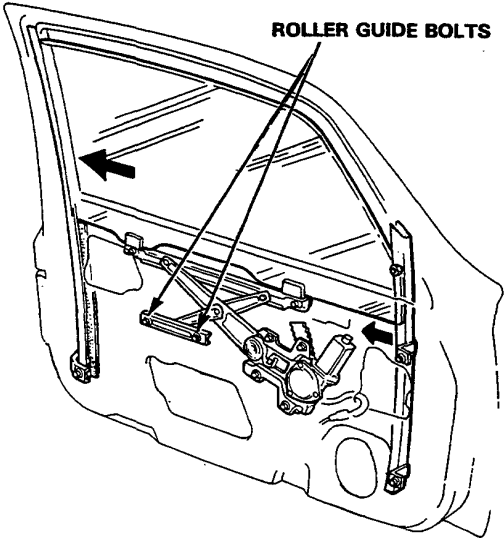


Assemble the door in the reverse order of disassembly, and also:

1. Grease all the sliding surfaces of the window regulator where shown.



2. To adjust window fit in the door, raise the window as far up as possible and hold it against the door sash. Then, tighten the roller guide bolts or motor mount bolts.



(cont'd)