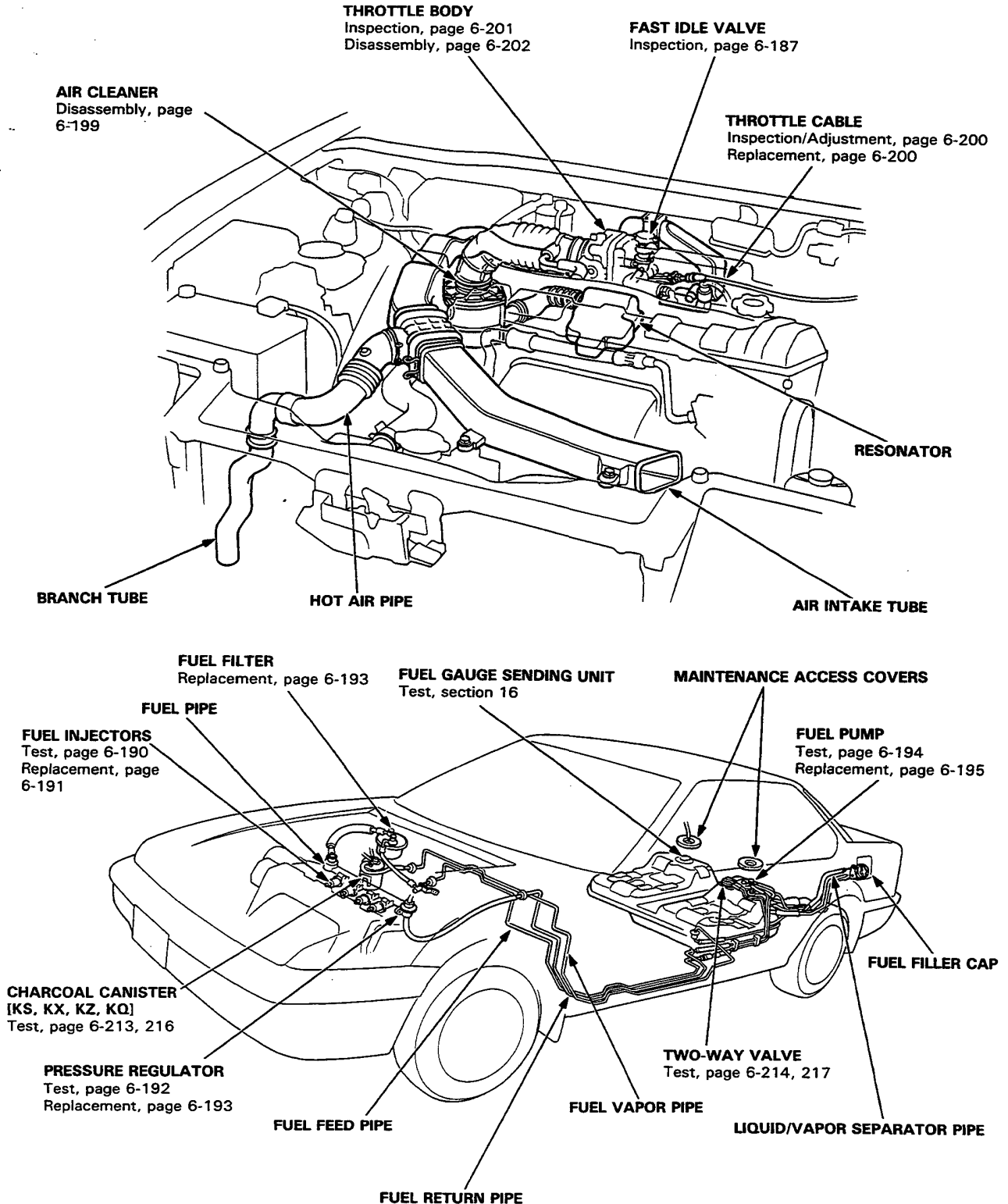


# Component Locations



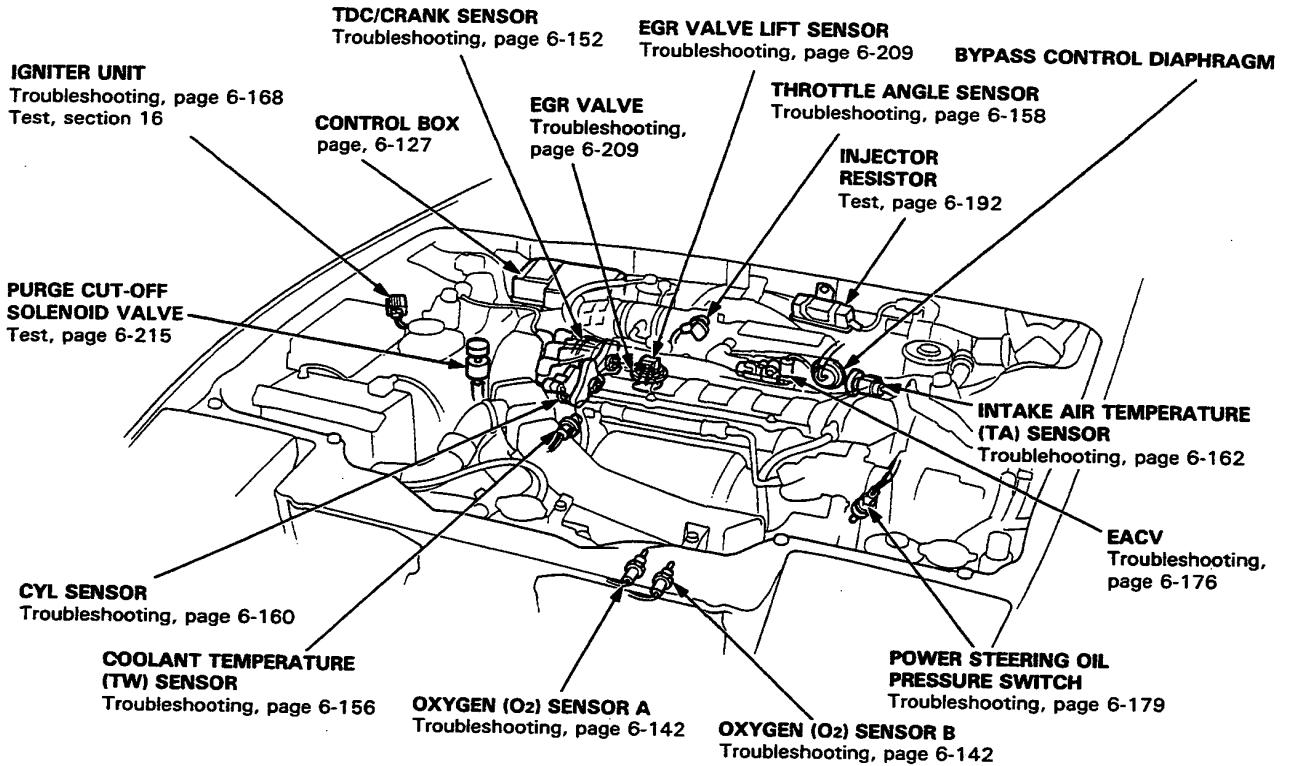
## Index



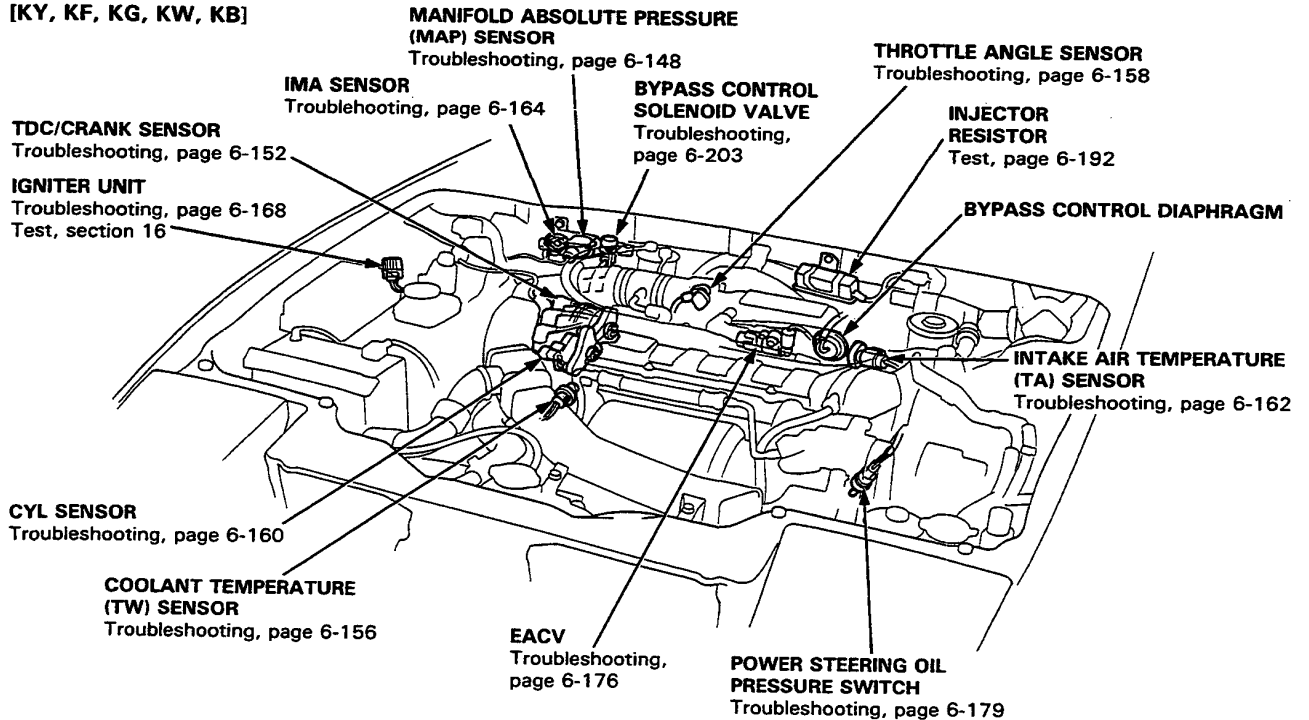
# Component Locations

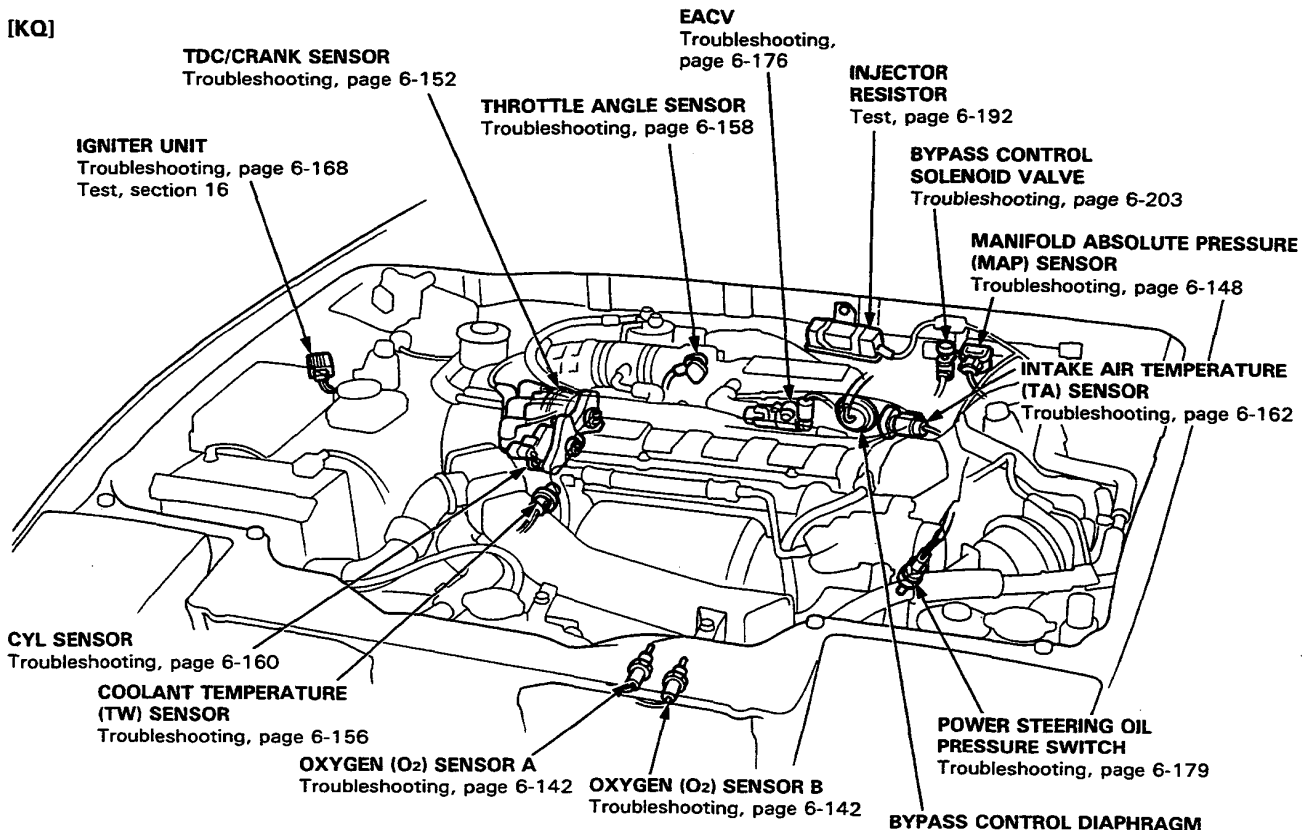
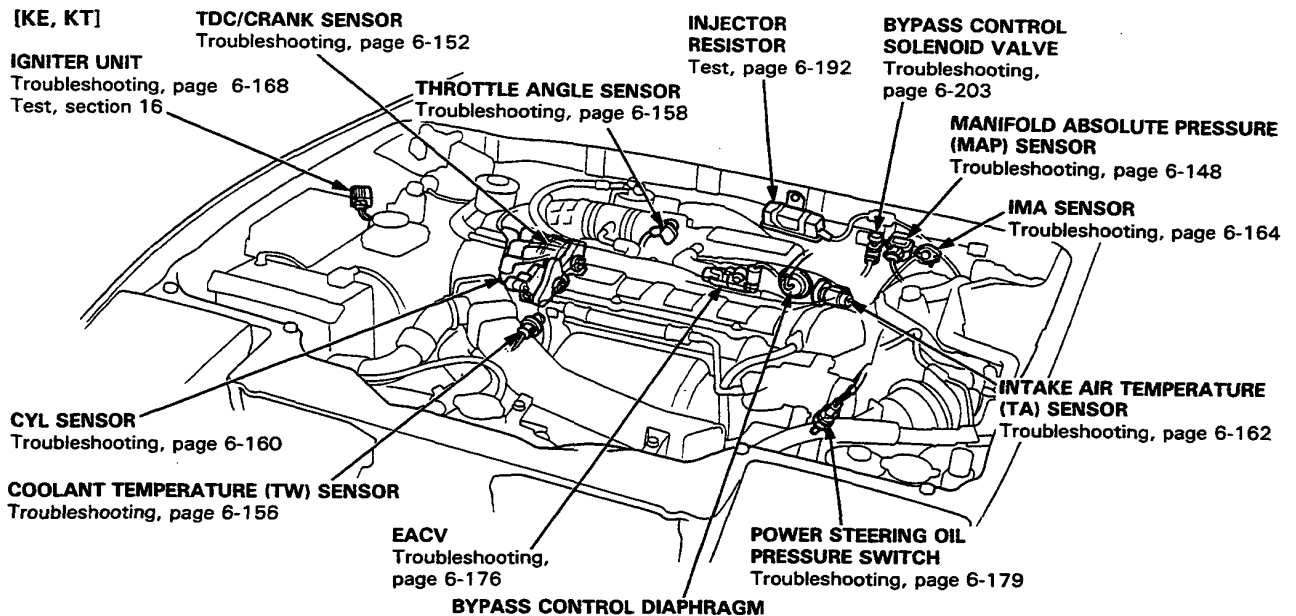
## Index

[KX, KS, KZ]



[KY, KF, KG, KW, KB]





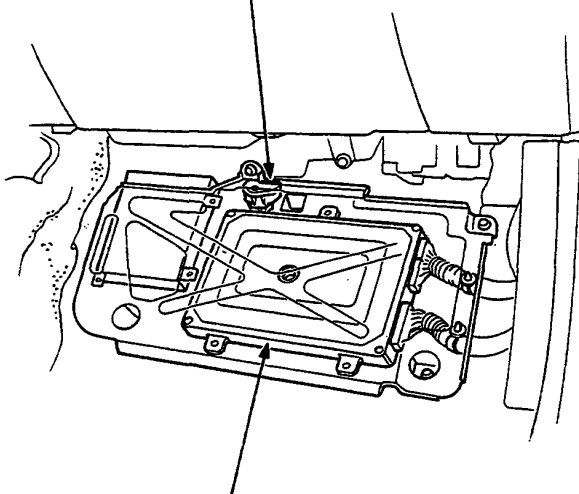
# Component Locations

## Index

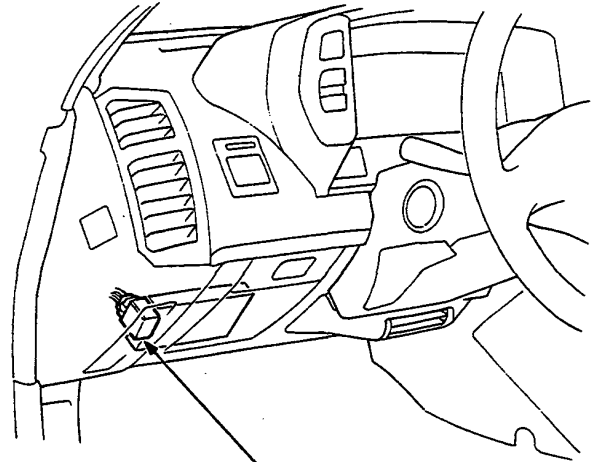
---

[L.H. Drive]

**ATMOSPHERIC PRESSURE (PA) SENSOR**  
Troubleshooting, page 6-166



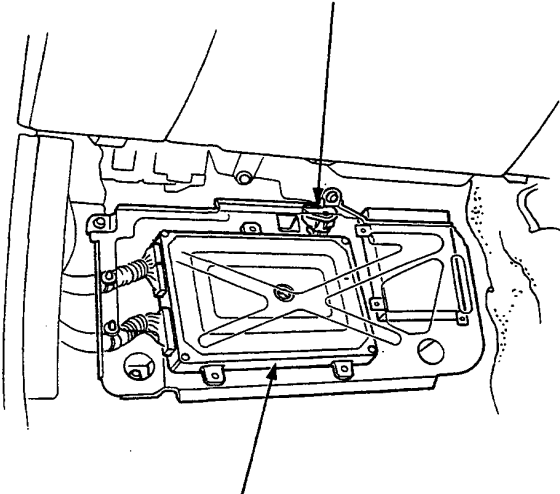
**ELECTRONIC CONTROL UNIT (ECU)**  
Troubleshooting, page 6-139



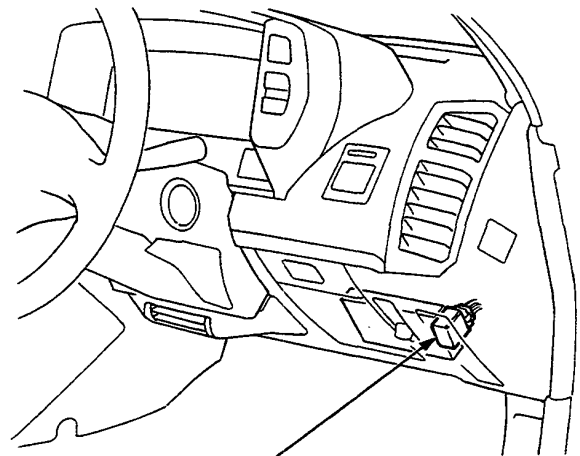
**MAIN RELAY**  
Test, page 6-195

[R.H. Drive]

**ATMOSPHERIC PRESSURE (PA) SENSOR**  
Troubleshooting, page 6-166



**ELECTRONIC CONTROL UNIT (ECU)**  
Troubleshooting, page 6-139



**MAIN RELAY**  
Test, page 6-195